

AIRFRAME CUMULATIVE FATIGUE MONITORING SYSTEM



Airframe Cumulative Fatigue Monitoring System

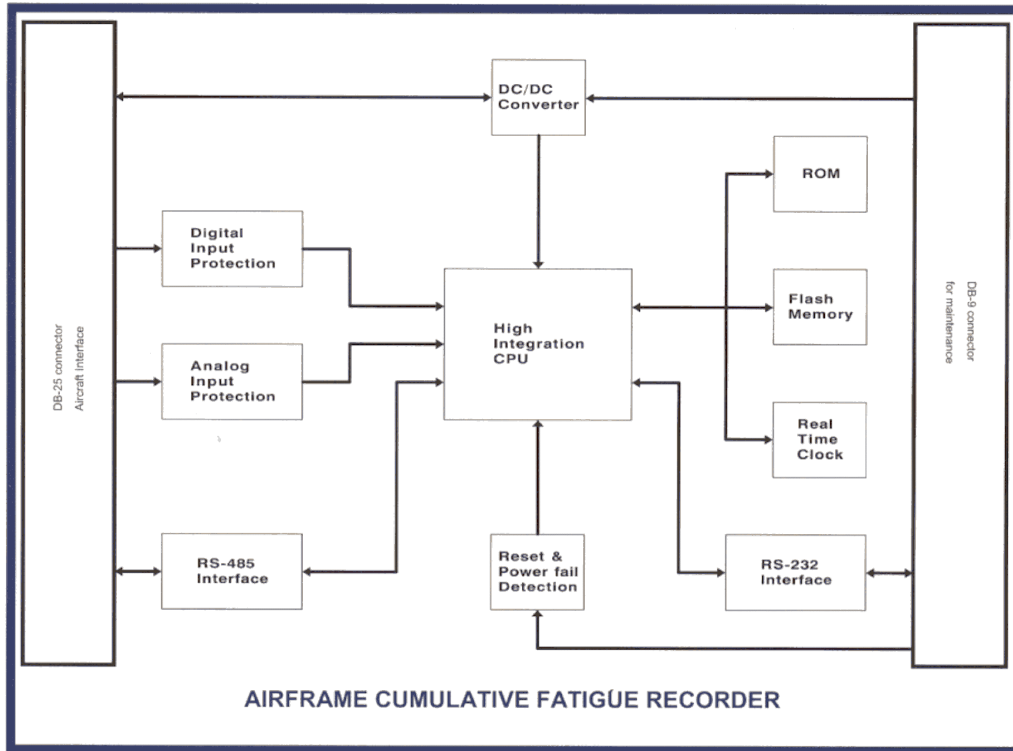
Cumulative Fatigue Recorder (CFR) shown top-left, with Air Data Transducer (ADX)

Systems & Electronics, Inc. (SEI)

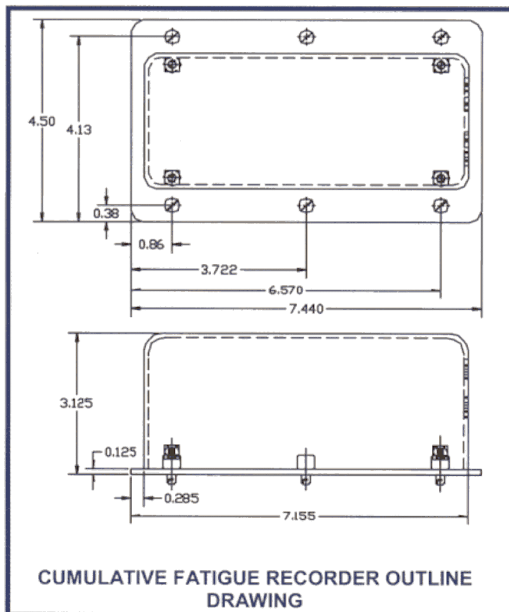
Airframe Cumulative Fatigue Monitoring System (ACFMS) is an advanced, low cost recorder capable of monitoring airspeed, altitude and accelerations. The heart of the system is the *Cumulative Fatigue Recorder (CFR), Model A1000*, capable of recording eight analog and eight digital signals. The *CFR's* low power, light weight, and small size allow for easy aircraft installation. The *ACFMS* includes the *Model TR-359 Air Data Transducer (ADX)*, converting the aircraft's pitot-static pressures to *CFR* compatible signals.

Custom Configurations, Full Systems Integration, and Installation Services Are Available.

- ◆ Meets RCTA/DO-160C
- ◆ Product Features:
 - ◆ Eight 0 to 5 volt analog channels
 - ◆ Eight digital input channels
 - ◆ RS-485 communications link
 - ◆ RS-232 download channel
 - ◆ 512k Bytes of flash memory
 - ◆ Real time clock



Functional Block Diagram



Cumulative Fatigue Recorder Outline Drawing

SUMMARY SPECIFICATIONS	
Parameter	Specification
Input Voltage	+9 to +36 VDC
Power	< 3 Watts
Weight	< 2 lbs
Memory Capacity	512k Bytes
Analog Channels	8 (0 to 5 VDC)
Digital Channels	8 (CMOS)
Communications Interface	RS-485
Download Interface	RS-232
Voltage Outputs	+5 and ±15 VDC
Operating Temperature	-40°C to +85°C